

3056



# NEPTUNESEAL\*

( range of seal models)



\*Neptune: Mythological god of the sea

**PROTECTION – CONTROL - IDENTIFICATION – TRACKING**

# NEPTUNESEAL

## Range of seal models



**NEPTUNESEAL  
STANDARD**



**NEPTUNESEAL  
BARCODE**



**NEPTUNESEAL  
DATA MATRIX**



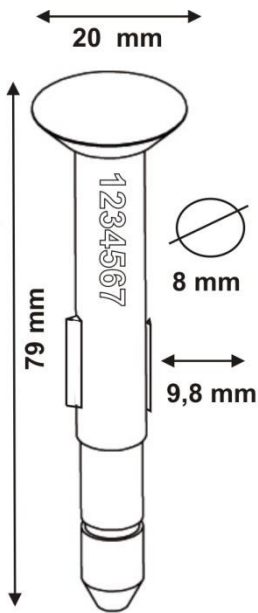
**NEPTUNESEAL  
COLOURED PIN**



**NEPTUNESEAL RFID  
ANTITAMPER**

# NEPTUNESEAL

## Technical spec. (1/5)



### DESCRIPTION

° **NEPTUNESEAL** is the first bolt type seal of its kind **ISO 17712: 2013 approved**, with the internal metal part exceeding 18 mm .

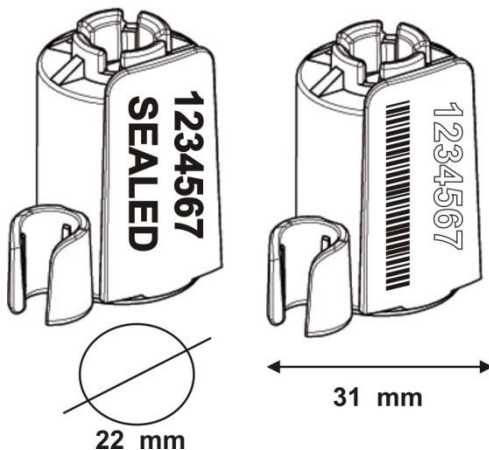
Our innovative (pat. pending) design is characterized by two metal tabs attached to the bolt, which slot securely into the closure canal of the “female” part of the seal.

This amendment to the traditional bolt seal design, requested by the new ISO norms, means it is no longer possible to tamper the “female” part of the seal by spinning it at high speed.

Any Tampering attempt will damage the seal leaving it irreparable.

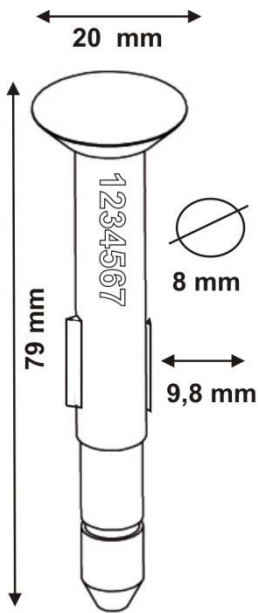
### NUMBERING AND CUSTOMISATION:

- ° LASER printing
- ° Sequential numbering up to 15 figures
- ° Bar-code option
- ° Customisation up to 20 characters on one line
- ° Client logo on request
- ° For substantial orders it's possible to recreate company logo in relief.



# NEPTUNESEAL

## Technical spec. (2/5)



### MATERIAL

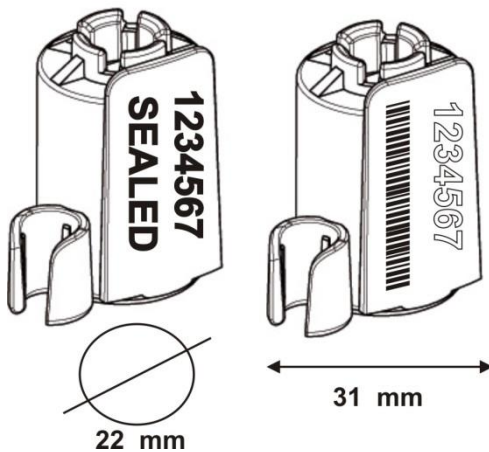
°Plastic parts: ABS / polystyrene in accordance with : **Restriction of Hazardous Substances (RoHS)** listed in the European Directive 2002/EC.

### CERTIFICATES

Compliant with ISO/PAS 17712:2013  
HSS (high security seal)  
ISO/PAS 17025 LAB APPROVED

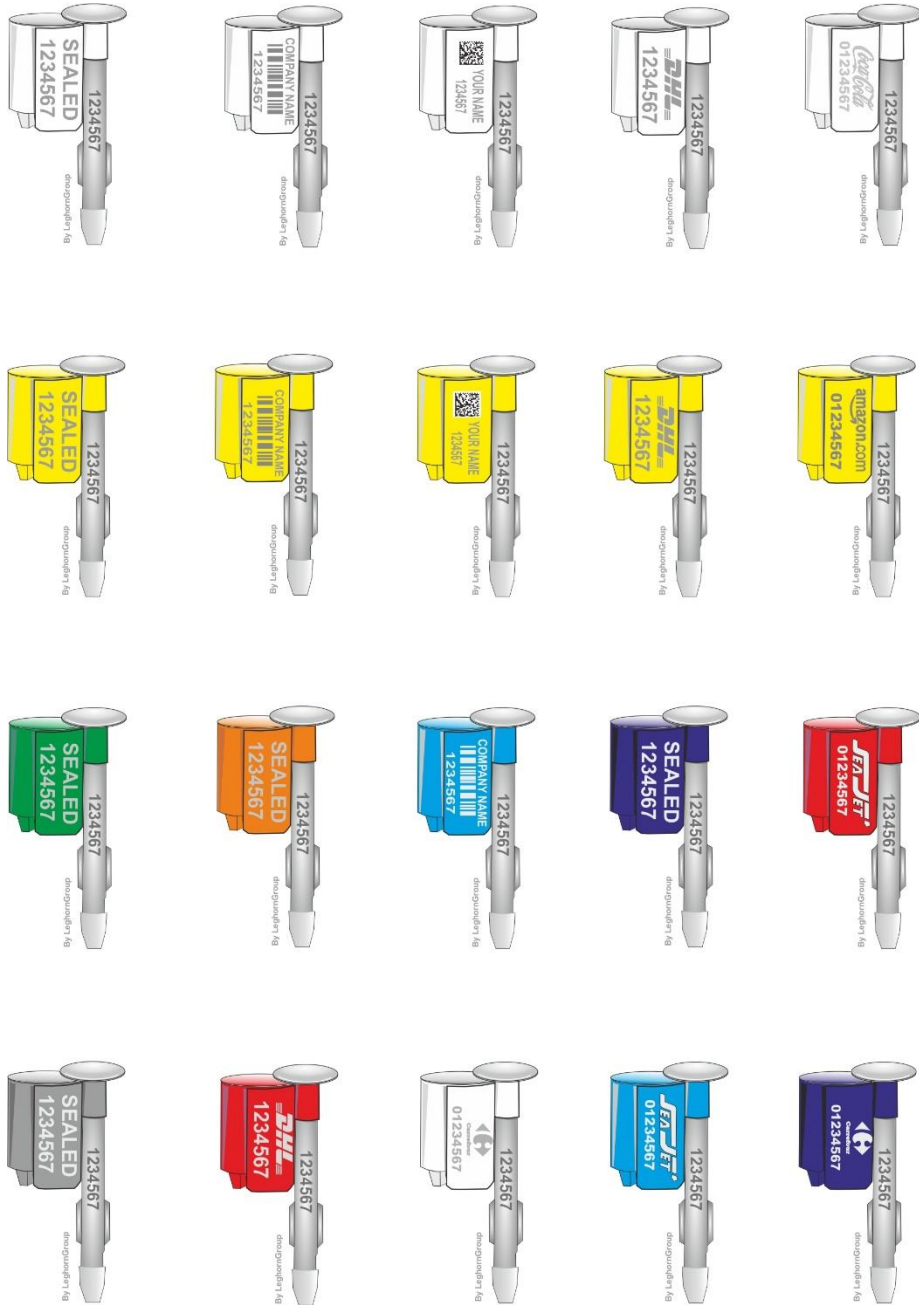
### PACKING

250 seals per carton  
Carton size: 39x19x16 cm)  
Carton weight: 13,3 kg



# NEPTUNESEAL

## color and customization examples 3/5



**PROTEZIONE - CONTROLLO - IDENTIFICAZIONE - TRACCIABILITÀ**

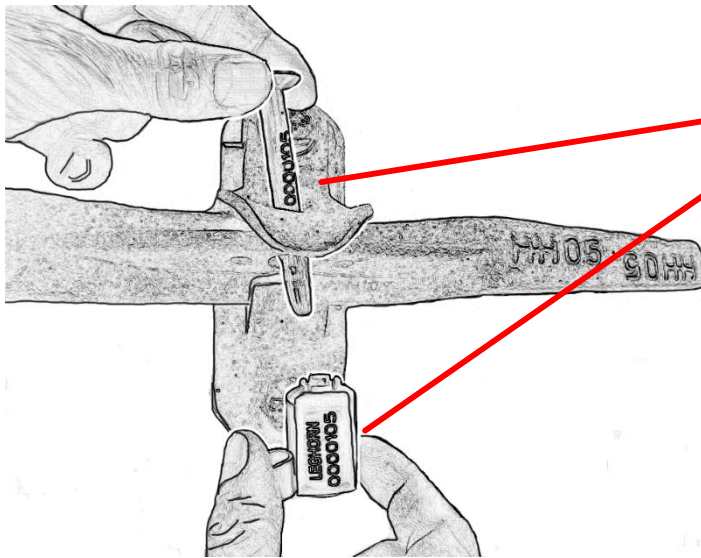
34/36, Via degli Arrotini - 57121 Livorno Tuscany Italy

Ph: +39 0586 406376 - Fax: +39 0586 407621

www.leghorngroup.it - info@leghorngroup.com



## Technical spec. (4/5)



### DOUBLE NUMBERING:

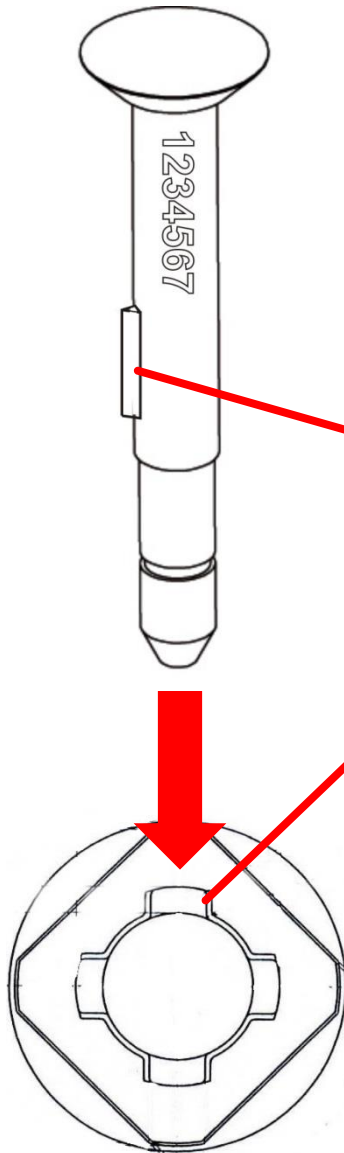
Numbering is printed with LASER

Both on the bolt and on the outer part.

Double numbering prevents against tampering as the bolt cannot be fraudently replaced

**In the event of tampering, leghorn staff are on hand 24 hours a day 365 days a year to give a full support and come up with a solution together.**

## Technical spec. (5/5)



### ANTI-SPIN

The tabs on the bolt **PATENTED** and the cross shaped blocking is also (**PATENTED**) this allows the automatic blocking of the bolt and as result it can not be turned or spun.

Spinning the bolts at high-speed to creat friction is one of the most common forms of Tampering used...



A container sealed with our NEPTUNESEAL, guarantees a high-level of security for your goods.

We keep a detailed file for at least 10 years of

- 1.)Numbering
- 2.)Customisation
- 3.)Client
- 4.)Date of supply







## WHAT DOES THE MANUFACTURER HAVE TO DO?

- A) Keep a detailed list of all the seal markings and numberings  
To avoid duplications and supply any info on request.
- B) Manufacture a seal that is strong enough to withstand any accidental breakages
- C) The main parts of the seal should break when opened.
- D) The seal's design should be complex enough to avoid it from being counterfeited
- E) Print on the seal their name on the seal so the end-user can easily identify who manufactured it
- F) Offer double numbering and the option of a barcode



## WHAT DO THE SEAL USERS HAVE TO DO?

- A) An operator should be assigned responsible for recording, distributing and keeping the seals.
- B) Keep a detailed register of the the consignments that are sealed with the seal number/ vehicle registration plate or container ID and the name of the person who applied the seal.
- C) Record the date/ time at the seal is removed and the name of the person who removed it.
- D) For closure: once positioned the user should apply a light pressure to the seal to make sure that the internal mechanisms have slotted into place .
- E) When the sealed container has arrived at its destination the seal should be inspected before its removed for scratches or any other signs that it could have been tampered. If it opens immediately it is likely it has been, if it doesn't then it is intact.

# NEPTUNE UHF RFID TAMPER EVIDENT SEAL

High Security Seal with RFID,  
radiofrequency automatic identification capability.



## Radio Frequency specification

- Frequency: 860 – 960 MHz – UHF EPC Global
- Reference RF Standard: ISO/IEC 18000-6
- RF Protocol: EPC Class 1 Gen2 / ISO/IEC 18000-6C
- Technology: Passive
- Integrated circuit: NXP G2iM+
- User read / write memory: yes - up to 640 bit
- Memory size: from 128 bit up to 448 bit of EPC Memory
- TID (Tag Identifier): 96 bit, including 48-bit factory locked
- unique serial number; 112 bit User TID memory
- Password protection: yes
- Tamper Detection: yes
- Read / write cycle: 10000
- Data retention: 20 year

## Performance

- Reading distance by handheld reader: 3 m (118" 7/64") (depending on reader)
- Reading distance at gate reader: 8 m (314" 6/164") (depending on reader)
- Quality: 100% performance tested

**NEEDED CERTIFICATES TO BE IN GOOD STANDING  
WITH THE USE OF HIGH SECURITY SEALS  
COMPLIANT WITH**

In order that your company be sure of having purchased **High Security Seals** compliant with the requirements set by the standard **ISO 17712:2013**, and may consequently be considered released from any liability in case that any unexpected problem arise in the future, **please make sure that your supplier will release all of the following certificates:**

# 1

**Product certificate attesting its compliance to the specification of the standard ISO 17712:2013.**

This certificate applies only to the product and is issued by laboratories qualified ISO 17025.

# 2

**Declaration of an International Certification Body (e.g. SGS) certifying that the seal manufacturer has adopted best practices that ensure the compliance of the seal itself to the conditions set in Clause 6 of the standard ISO 17712:2013.**

This certificate covers the seal manufacturer and is an integral part of the product certificate referred to in point 1. Without this additional certificate the requirements of High Security Seals cannot be considered fully met.

# 3

**Certification of the seal manufacturer's Quality System in compliance with UNI EN ISO 9001:2015.**

This certificate covers the seal manufacturer and is guarantee that the internal processes of the manufacturer meets a series of good practices related to security outlined in the ISO 17712: 2013 "Annex A".

### *Protection.*



LeghornGroup can protect your goods and assets with security seals and various products for tamper protection. The company can create bespoke, technical solutions to meet client's requirements.

### *Control.*



LeghornGroup ensures goods and people can be monitored using security products and integrated complete hardware and software solutions that allow the operator to monitor and intervene in real time, even remotely.

### *Identification.*



LeghornGroup's understanding of authentication along with their innovative technical products and solutions allow users to uniquely and securely identify, goods, vehicles, containers, animals and people.

### *Tracking.*



LeghornGroup's real time GPS tracking devices allow users to monitor location, status and movements of vehicles and people.

# WORLD CONTACTS

General e-mail: [info@leghorngroup.com](mailto:info@leghorngroup.com)



**LeghornGroup ITALY**  
[www.leghorngroup.it](http://www.leghorngroup.it)

**LeghornGroup USA**  
[www.leghorngroup.com](http://www.leghorngroup.com)

**LeghornGroup BELGIUM**  
[www.leghorngroup.be](http://www.leghorngroup.be)  
[www.leghorngroup.nl](http://www.leghorngroup.nl)

**LeghornGroup INDIA**  
[www.leghorngroup.in](http://www.leghorngroup.in)

**LeghornGroup CZECH REP.**  
[www.leghorngroup.cz](http://www.leghorngroup.cz)  
[www.leghorngroup.pl](http://www.leghorngroup.pl)

**LeghornGroup GREECE**  
[www.leghorngroup.gr](http://www.leghorngroup.gr)

**LeghornGroup MOLDOVA**  
[www.leghorngroup.ro](http://www.leghorngroup.ro)

**LeghornGroup SPAIN**  
[www.leghorngroup.es](http://www.leghorngroup.es)



LeghornGroup srl

34/36, Via degli Arrotini - 57121 Livorno, Tuscany, Italy

Ph: +39 0586 406376 - Fax: +39 0586 407621 - [www.leghorngroup.com](http://www.leghorngroup.com) - [info@leghorngroup.com](mailto:info@leghorngroup.com)

**PROTECTION – CONTROL - IDENTIFICATION – TRACKING**