

Calaide seal

Padlock seal



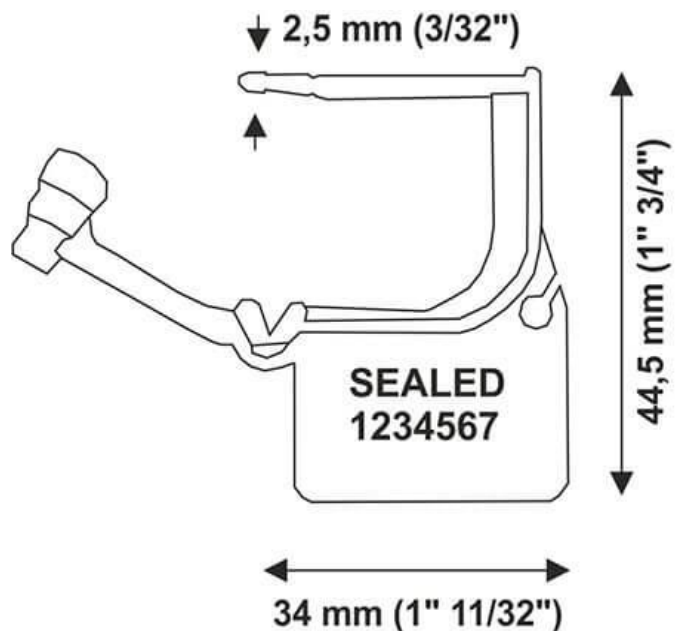
Specifications

- Polypropylene seal
- Size: 44.5mmx34mm
- Tensile strength: 5 kg
- Working temperature: -30°c +60°c
- Marking: laser
- Progressive numbering up to 7 digits
- Customisation up to 10 characters on one line
- Logo and barcode upon request
- Available colours: orange, light blue, white, yellow, red, black and green



- Further colours may be manufactured upon request

Specifications and design are subject to change without any notice or obligation from the manufacturer



Packaging

- Box with 5000 seals in bags of 1000 seals
- Box size: 55x36x27cm
- Box weight: 8kg

CUSTOMS CODE: 39269097

info@leghorngroup.com

Protection - Control - Identification - Tracking - RFID solutions - www.leghorngroup.com

