

# Hephaseal

## Padlock seal

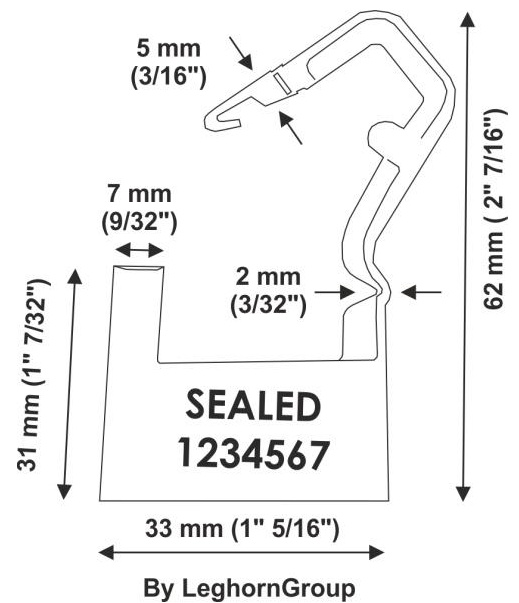


### Specifications

- Polypropylene seal
- Tensile strength: 7.5 kgf
- Working temperature: -20°C +80°C
- Marking: laser
- Progressive numbering up to 7 digits
- Customisation up to 10 characters on one line
- Logo or barcode options upon request
- Available colours: white, yellow, red, blue, green and pink
- Further colours may be manufactured upon request



*Specifications and design are subject to change without any notice or obligation from the manufacturer*



### Packaging

- Box with 2800 seals
- Box size: 46x31x31 cm
- Box weight: 7.1 kg

CUSTOMS CODE: 39269097

[info@leghorngroup.com](mailto:info@leghorngroup.com)

Protection - Control - Identification - Tracking - RFID solutions - [www.leghorngroup.com](http://www.leghorngroup.com)

