

# Anchorclick

## Wire seal



## Specifications

- Available in polycarbonate or polypropylene
- To be used with different sealing wires or strings. Any pliers for the correct closure is required.
- Working temperature:  $-30^{\circ}\text{C}$   $+60^{\circ}\text{C}$
- Marking: laser
- Progressive numbering up to 15 digits
- Customisation up to 20 characters on one line
- Available in transparent colours
- Available colours: orange, blue, white, yellow, red green and purple



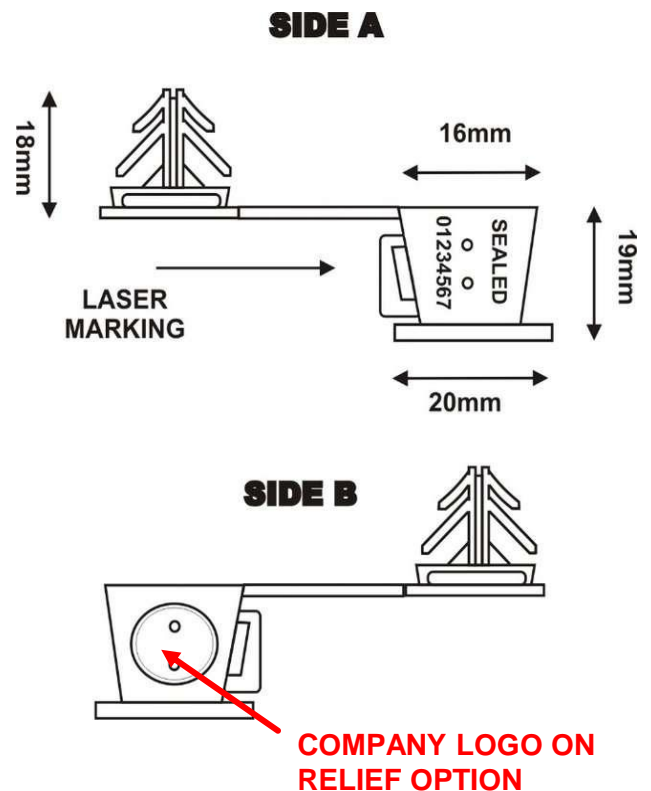
- Further colours may be manufactured upon request

*Specifications and design are subject to change without any notice or obligation from the manufacturer*

## Packaging

- Box with 5000 seals in bags of 100 pcs
- Box size: 60x40x33cm
- Box weight: 10 kg
- Pallet: 100x120x150 cm, 220 kg, 100000 pcs

CUSTOMS CODE: 39269097



info@leghorngroup.com

Protection - Control - Identification - Tracking - RFID solutions - [www.leghorngroup.com](http://www.leghorngroup.com)

