

# Hectorseal 7.5x510 mm

Pull-tight plastic seal with metal insert



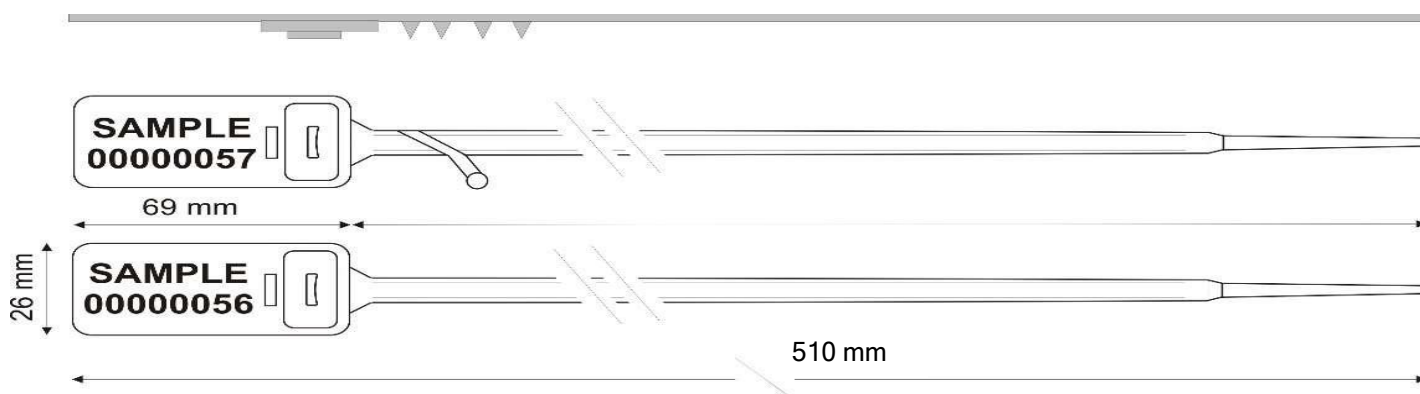
## Specifications

- Polypropylene seal with metal insert
- Size: 7,5x510 mm
- Tensile strength: 485 N
- Working temperature: -30°C +60°C
- Marking: laser or thermal printing (black or white)
- Progressive numbering up to 15 digits
- Customisation up to 20 characters on one line
- Logo, barcode and Qr code upon request
- Available colours: orange, light blue, white, yellow, red, blue and green



- Further colours may be manufactured upon request

*Specifications and design are subject to change without any notice or obligation from the manufacturer*



## Packaging

- Box with 1000 seals in mats of 10 pcs
- Box size: 53x40x24cm
- Box weight: 7kg
- Pallet: 100x120x215cm, 330 kg, 45000 pcs

CUSTOMS CODE: 39269097

[info@leghorngroup.com](mailto:info@leghorngroup.com)

Protection - Control - Identification - Tracking - RFID solutions - [www.leghorngroup.com](http://www.leghorngroup.com)

