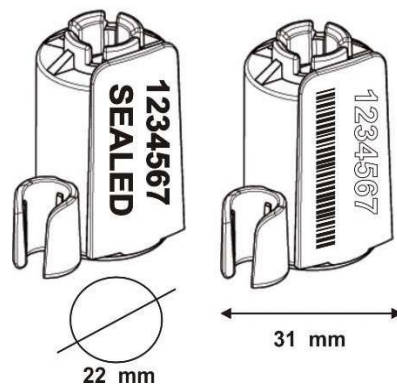
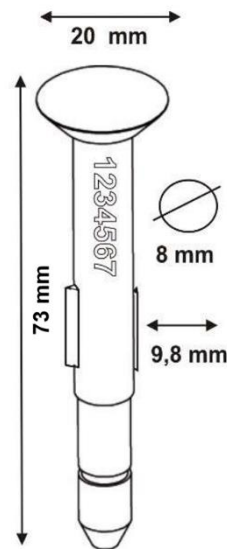


Neptune seal

Bolt lock high security seal



Specifications

- Steel pin and polystyrene/ABS coated locking body
 - Compliant with ISO 17712:2013 as high security seal
 - Anti-spin construction to defeat high speed spin attempts at tampering
 - Working temperature: -40°C +120°C
 - Tensile strength: >1000 kg
 - Marking: laser
 - Progressive numbering up to 15 digits
 - Customisation up to 20 characters on one line
 - Logo, barcode and data matrix upon request
 - Available colours: orange, light blue, white, yellow red and green
-
- Further colours as pink, grey and brown can be manufactured upon request

Specifications and design are subject to change without any notice or obligation from the manufacturer

Packaging

- Box with 250 seals in bags of 50 pcs
 - Box size: 39x19x16cm
 - Box weight: 13.3 kg
 - Pallet: 80x120x110 cm, kg 958 per 18.000 pcs
- CUSTOMS CODE: 83099090